

# MOTOMAN GP280

Handling & General Applications  
with the GP-series



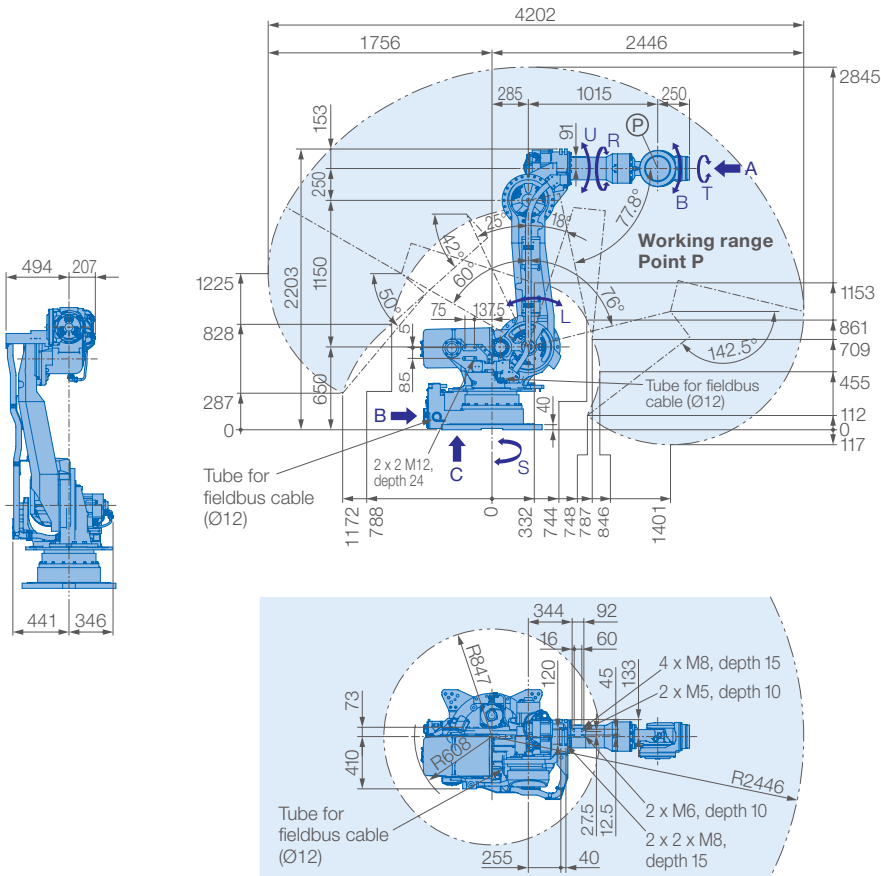
The 6-axis MOTOMAN GP280 is a versatile, high speed robot offering superior performance for a variety of applications, like material handling, machine and press tending.

The GP280 offers a large work envelope of 2446 mm and a high moment of inertia ratings. Fast axial speeds and acceleration reduce cycle times and increase production output. The compact, slim design allows the robot to reach into confined spaces, improving system productivity.

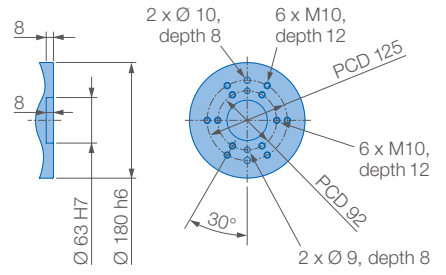
The MOTOMAN GP280 is available with the PLd Category 3 Functional Safety Unit (FSU).

## KEY BENEFITS

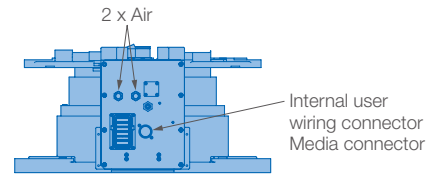
- Fast, flexible and powerful
- Compact design allows maximum performance using minimal floor space
- Max. payload of 280 kg
- Max. working range of 2446 mm
- Enhanced safety functions



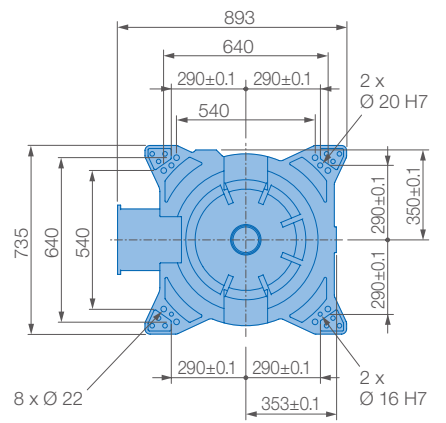
View A



View B

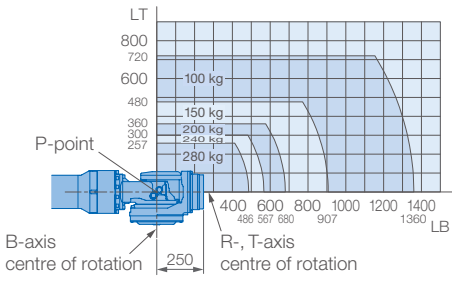


View C



Mounting option: Floor  
Protection class: IP54/IP67

Allowable wrist load



| Specifications GP280 |                          |                        |                       |                                       |                             |          |
|----------------------|--------------------------|------------------------|-----------------------|---------------------------------------|-----------------------------|----------|
| Axes                 | Maximum motion range [°] | Maximum speed [°/sec.] | Allowable moment [Nm] | Allowable moment of inertia [kg · m²] | Controlled axes             | 6        |
| S                    | ±180                     | 90                     | -                     | -                                     | Max. payload [kg]           | 280      |
| L                    | +76/-60                  | 80                     | -                     | -                                     | Repeatability [mm]          | ±0.05    |
| U                    | +197/-77.8               | 90                     | -                     | -                                     | Max. working range R [mm]   | 2446     |
| R                    | ±360                     | 115                    | 1333                  | 142                                   | Temperature [°C]            | 0 to +45 |
| B                    | ±125                     | 110                    | 1333                  | 142                                   | Humidity [%]                | 20 - 80  |
| T                    | ±360                     | 190                    | 706                   | 79                                    | Weight [kg]                 | 1300     |
|                      |                          |                        |                       |                                       | Power supply, average [KVA] | 5.0      |

Yaskawa Europe GmbH  
Robotics Division  
Yaskawastraße 1  
85391 Allershausen  
Germany

Tel. +49 (0) 8166 90-0  
robotics@yaskawa.eu.com  
www.yaskawa.eu.com

YR-1-06VX280-A00  
A-09-2019, A-No. 195950

All drawing dimensions in mm. Technical data may be subject to change without previous notice. Please request detailed drawings at robotics@yaskawa.eu.com.

