

# MOTOMAN GP25, GP25-12

Handling & General Applications  
with the GP-series



The MOTOMAN GP25 is a fast and precise 6-axis industrial robot with a payload capacity of up to 25 kg. With a reach of 1730 mm and a high repeatability of  $\pm 0.02$  mm, it is ideally suited to assembly tasks, but also universal handling tasks, CNC machine tool tending or packaging. With its payload capacity of 12 kg, the MOTOMAN GP25-12 offers an even larger working range of 2010 mm with a repeatability of  $\pm 0.03$  mm. The streamlined modern industrial design minimizes the space requirements at the installation site.

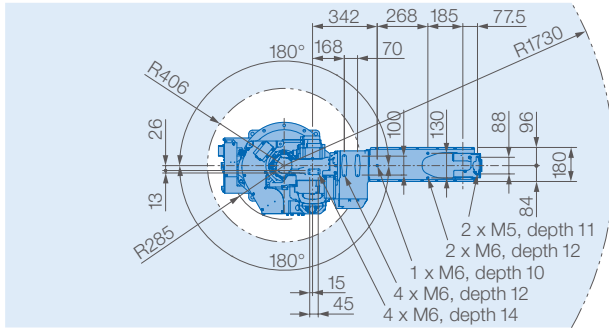
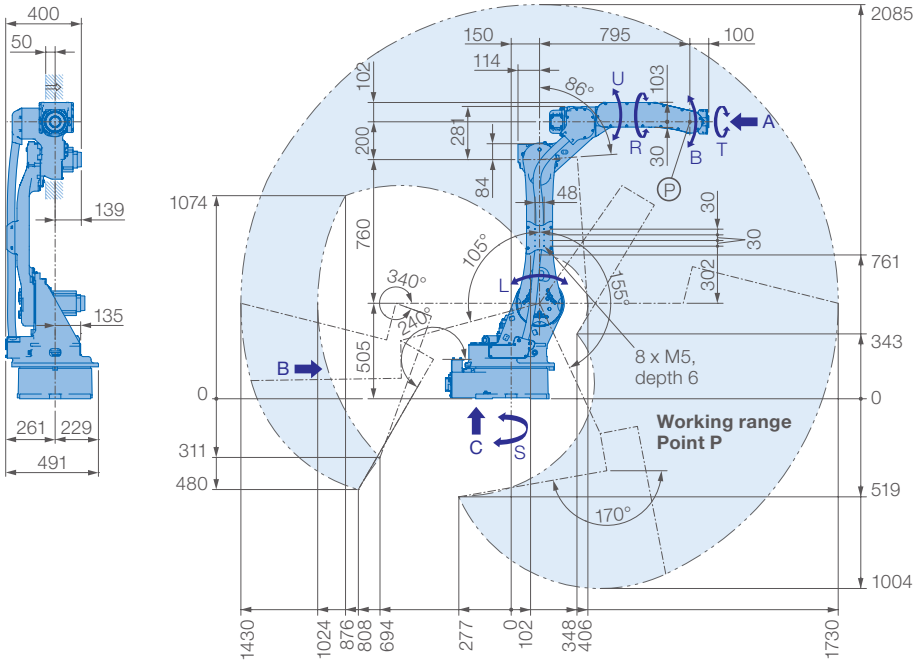
Cable entry from the side at the pedestal enables space-saving and uncluttered integration into the environment, irrespective of the intended installation position. The prepared routing of the supply lines in the arm enables optimal integration of the grippers or sensor systems, often dispensing with the need for an external media package. This reduces also interference contours.

A world of possibilities is open to the MOTOMAN GP25/GP25-12 robots with the numerous functions of the MOTOMAN YRC1000 controller. In conjunction with the conventional teach pendant, these robots are reliable mechanical engineering partners. With the innovative operator control concept of the SmartPendant, it provides an excellent point of entry into industrial automation.

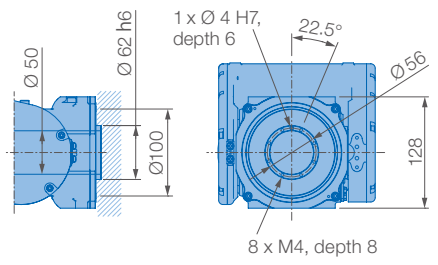
As standard, the MOTOMAN GP25 and GP25-12 are designed with the high protection classification IP67 (wrist). Other variants of the MOTOMAN GP25 (e.g. with food-compatible grease in the food industry, special anti-corrosion coating for applications in aggressive ambient conditions, or as a cleanroom version) are optionally available.

## KEY BENEFITS

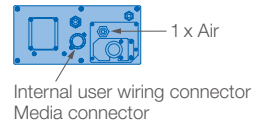
- Flexible, fast and powerful
- Large working range: 1730 and 2010 mm
- Reduced interference contours due to optimized design
- Simple commissioning and maintenance



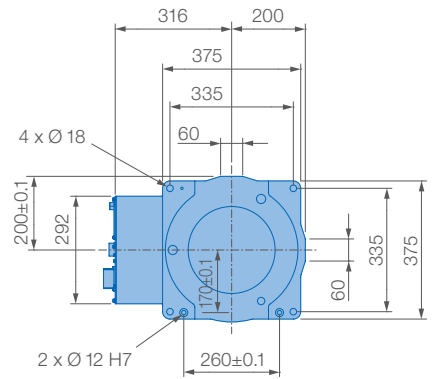
**View A**



**View B**

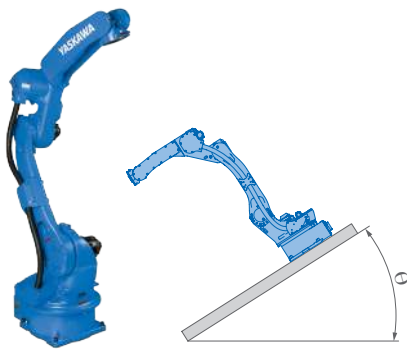


**View C**

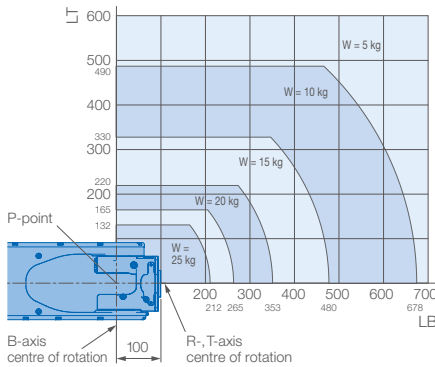


**Prevent interaction of the robot with:**

- Corrosive gases, liquids or explosive gases
- Exposure to water, oil or dust
- Excessive electrical noise (plasma)



**Allowable wrist load**



Mounting options: Floor, ceiling, wall, tilt\*

Protection class version YR-1-25VXH25-A00  
Standard: Main axes (S, L, U) IP54, wrist IP67

Protection class version YR-1-25VXH25-C00:  
Main axes (S, L, U) IP65, wrist IP67

Protection class version YR-1-06VXH25-C02 (ACC):  
Main axes (S, L, U) IP65, wrist IP67

\* tilt with condition of angle – see table below

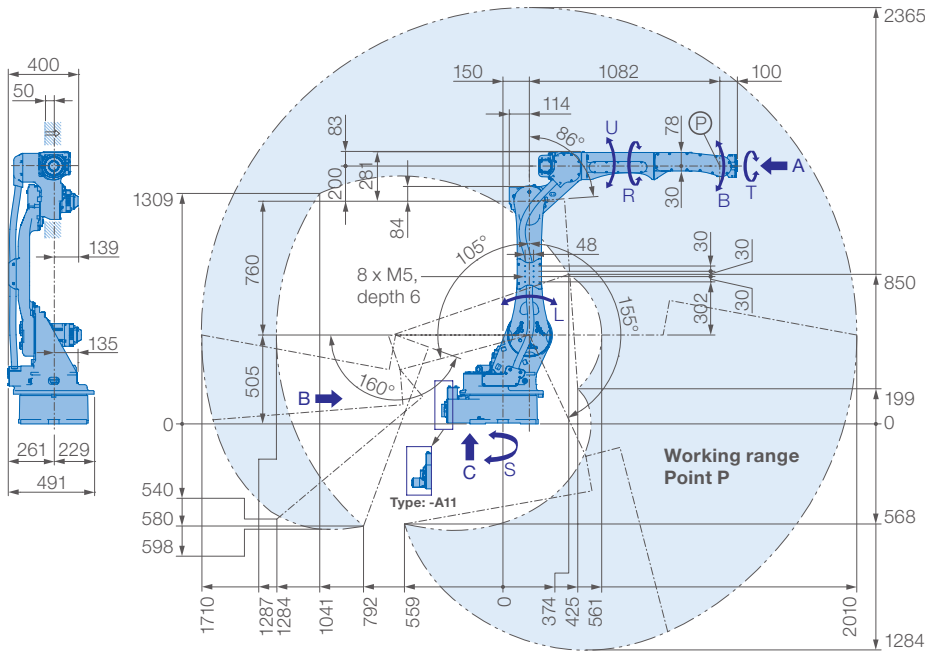
Robot installation angle $\theta$ [deg.]	S-axis operating range [deg.]
$0 \leq \theta \leq 30$	$\pm 180$ degrees or less (no limit)
$30 < \theta \leq 35$	$\pm 60$ degrees or less
$35 < \theta$	$\pm 30$ degrees or less

**Specifications GP25**

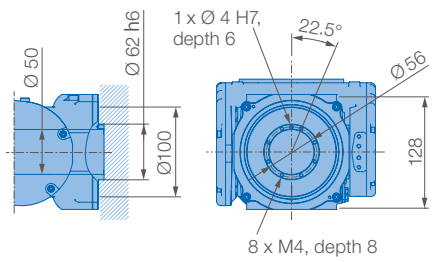
Axes	Maximum motion range [°]	Maximum speed [°/sec.]	Allowable moment [Nm]	Allowable moment of inertia [kg · m <sup>2</sup> ]	Controlled axes	6
S	$\pm 180$	210	–	–	Max. payload [kg]	25
L	$+155/-105$	210	–	–	Repeatability [mm]	$\pm 0.02^*$
U	$+160/-86$	265	–	–	Max. working range R [mm]	1730
R	$\pm 200$	420	52	2.3	Temperature [°C]	0 to +45
B	$\pm 150$	420	52	2.3	Humidity [%]	20 – 80
T	$\pm 455$	885	32	1.2	Weight [kg]	250
					Power supply, average [KVA]	2,0**

\* Conforms to ISO 9283 \*\* Varies in accordance with applications and motion patterns **Note:** SI units are used for specifications.

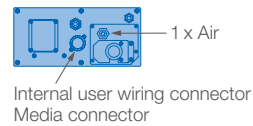
All dimensions in mm



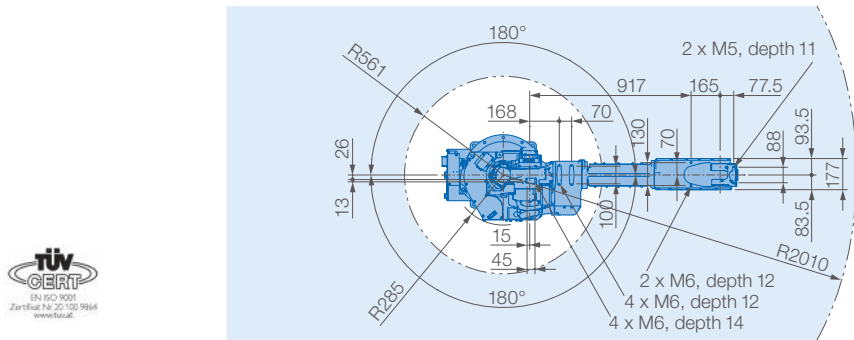
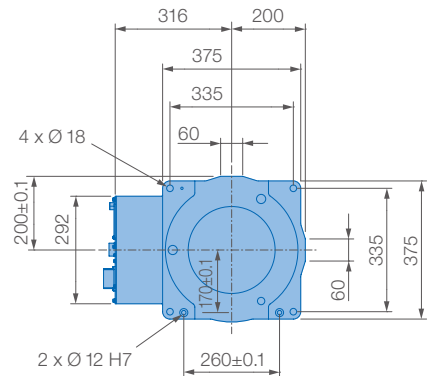
View A



View B



View C

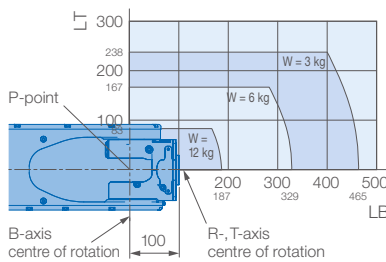


**Prevent interaction of the robot with:**

- Corrosive gases, liquids or explosive gases
- Exposure to water, oil or dust
- Excessive electrical noise (plasma)



**Allowable wrist load**



Mounting options: Floor, ceiling, wall, tilt\*

Protection class: Main axes (S, L, U) IP54 (option 65), wrist IP67

\* tilt with condition of angle – see table below

Robot installation angle $\theta$ [deg.]	S-axis operating range [deg.]
$0 \leq \theta \leq 30$	$\pm 180$ degrees or less (no limit)
$30 < \theta \leq 35$	$\pm 60$ degrees or less
$35 < \theta$	$\pm 30$ degrees or less

**Specifications GP25-12**

Axes	Maximum motion range [°]	Maximum speed [°/sec.]	Allowable moment [Nm]	Allowable moment of inertia [kg · m <sup>2</sup> ]	Controlled axes	6
S	$\pm 180$	210	–	–	Max. payload (on U-axis) [kg]	12 (9)
L	$+155/-105$	210	–	–	Repeatability [mm]	$\pm 0.03^*$
U	$+160/-86$	220	–	–	Max. working range R [mm]	2010
R	$\pm 200$	435	22	0.65	Temperature [°C]	0 to +45
B	$\pm 150$	435	22	0.65	Humidity [%]	20 – 80
T	$\pm 455$	700	9.8	0.17	Weight [kg]	260
					Power supply, average [KVA]	2.0**

\* Conforms to ISO 9283 \*\* Varies in accordance with applications and motion patterns Note: SI units are used for specifications.

All dimensions in mm

## YASKAWA GROUP

- AT Yaskawa Austria  
Schwechat/Wien  
+43(0)1-707-9324-15
- CZ Yaskawa Czech s.r.o.  
Rudná u Prahy +420-257-941-718
- DK Yaskawa Danmark  
Løsning +45 7022 2477
- ES Yaskawa Ibérica, S.L.  
Gavà/Barcelona +34-93-6303478
- FR Yaskawa France SARL  
Le Bignon +33-2-40131919
- FI Yaskawa Finland Oy  
Turku +358-(0)-403000600
- GB Yaskawa UK Ltd.  
Banbury +44-1295-272755
- IT Yaskawa Italia s.r.l.  
Torino +39-011-9005833
- IL Yaskawa Europe Technology Ltd.  
Rosh Ha'ayin +972-3-9004114
- NL Yaskawa Benelux B.V.  
Eindhoven +31-40-2895500
- PL Yaskawa Polska Sp. z o.o.  
Wrocław +48-71-7928670
- RU Yaskawa Europe Holding AB  
Moskva +46-480-417-800
- SE Yaskawa Nordic AB  
Torsås +46-480-417-800
- SI Yaskawa Slovenia  
Ribnica +386-1-8372-410
- TR Yaskawa Turkey Elektrik  
Ticaret Ltd. Sti.  
İstanbul +90-216-5273450
- ZA Yaskawa Southern Africa (PTY) Ltd  
Johannesburg +27-11-6083182

## DISTRIBUTORS

- BG ATRI ROBOTICS Ltd.  
Stara Zagora +359 899 625 160  
Kammarton Bulgaria Ltd.  
Sofia +359-02-926-6060
- EE RKR Seadmed OÜ  
Tallinn/Estonia +372-68-35-235
- GR Gizelis Robotics  
Schimatari Viotias +30-2262057199
- HU Flexman Robotics Kft  
Budapest +36 1 259 0981
- LT Profibus UAB  
Panevezys +370-45-518575
- NO Skala Robotech AS  
Lierstranda +47-32240600
- PT ROBOPLAN Lda  
Aveiro +351-234 943 900
- RO NORMANDIA S.R.L.  
Braşov +40 268 549 236



## Yaskawa Headquarters

Yaskawa Europe GmbH  
Robotics Division  
Yaskawastraße 1  
85391 Allershausen, Germany  
Tel. +49 (0) 8166/90-0  
Fax +49 (0) 8166/90-103

## Yaskawa Academy and sales office Frankfurt

Yaskawa Europe GmbH  
Robotics Division  
Hauptstraße 185  
65760 Eschborn, Germany  
Tel. +49 (0) 6196/77725-0  
Fax +49 (0) 6196/77725-39

robotics@yaskawa.eu  
www.yaskawa.eu

All drawing dimensions in mm.  
Technical data may be subject to change without previous notice.  
Please request detailed drawings at [robotics@yaskawa.eu](mailto:robotics@yaskawa.eu).

YR-1-25VXH25-A00, YR-1-25VXH25-C00, YR-1-06VXH25-C02 (ACC)  
YR-1-25VXH25-12-A00  
D-01-2022, A-No. 206026

# YASKAWA