

MOTOMAN GP215-200T

Handling & General Applications
with the GP-series



The flexible, 6-axis handling robot MOTOMAN GP215-200T is specifically designed for ceiling-mounted applications and provides a high payload of 200 kg with a large reach of 2,676 mm.

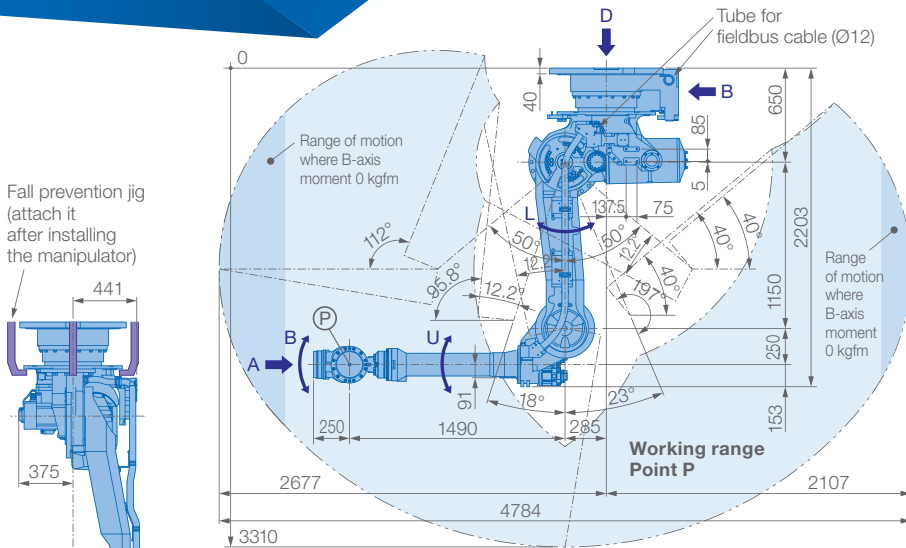
It offers top performance especially where a robot is mounted elevated on a steel structure to create space on the floor for conveyors, fixtures or processing machines. With its slim arm, it can be used effortlessly in the tightest work spaces. Typical applications for the MOTOMAN GP215-200T include loading operations with longer transport distances and spot welding applications.

High performance Sigma-7 drive technology enables the robot to perform fast, dynamic movements and accelerations with high repeatability.

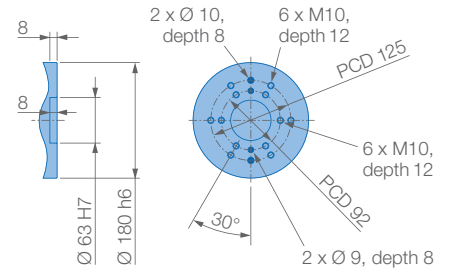
Combined with the powerful MOTOMAN YRC1000 robot controller and an extensive portfolio of gantries and consoles, the MOTOMAN GP215-200T is a versatile and reliable industrial robot.

KEY BENEFITS

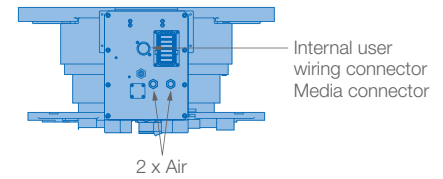
- High payload: 200 kg
- Large working range: 2,676 m
- Space-saving ceiling mounting
- Slim arm for use in confined work spaces
- Fast movements due to high axis speeds and acceleration



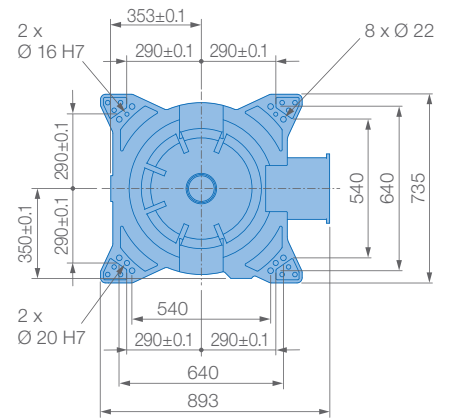
View A



View B

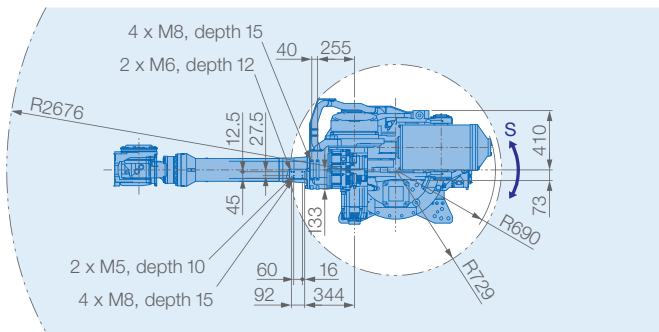


View C

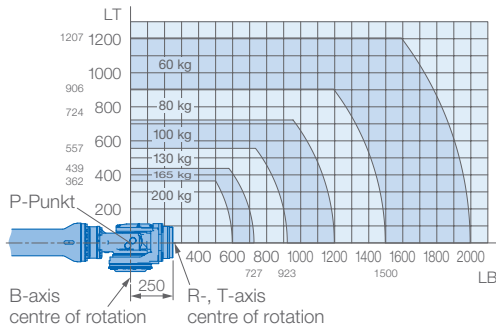


Mounting option: Ceiling

IP protection class: Main axes (S, L, U) IP54 (option IP65), wrist IP67



Allowable wrist load



Specifications GP215-200T						
Axes	Maximum motion range [°]	Maximum speed [°/s]	Allowable moment [Nm]	Allowable moment of inertia [kg · m ²]	Controlled axes	6
S	±180	100	–	–	Max. payload [kg]	200
L	±50	90	–	–	Repeatability [mm]	±0.05
U	+197/-77.8	97	–	–	Max. working range R [mm]	2676
R	±360	120	1176	317	Temperature [°C]	0 to +45
B	±125	120	1176	317	Humidity [%]	20 – 80
T	±360	190	710	200	Weight [kg]	1360
					Power supply, average [kVA]	5.0

Yaskawa Europe GmbH

Robotics Division
Yaskawastraße 1
85391 Allershausen
Germany

Tel. +49 (0) 8166 90-0
robotics@yaskawa.eu
www.yaskawa.eu

YR-1-06VT215-200-A00
A-02-2022, A-No. 222097