

YASKAWA

Yaskawa EFEM

Customized Equipment Front End Module Designed exactly for your Application

As a tool maker, it's essential to use the most advanced interface equipment available in the Fab to ensure high throughput, best reliability, and a perfect fit for your specific needs.

This is where Yaskawa Europe Technology, the European semiconductor branch of Yaskawa Electric Corporation from Japan, can support you.

Yaskawa Europe Technology offers **cutting-edge solutions** for factory interfaces of various sizes and capacities, including **EFEMs (Equipment Front-End Modules)** and **Mini-environment**.

With professional expertise and knowledge of many years in automation, Yaskawa delivers **fully configured systems** tailored to meet your exact specifications for **cleanliness, throughput, and accuracy** – using the most suitable and advanced components available.

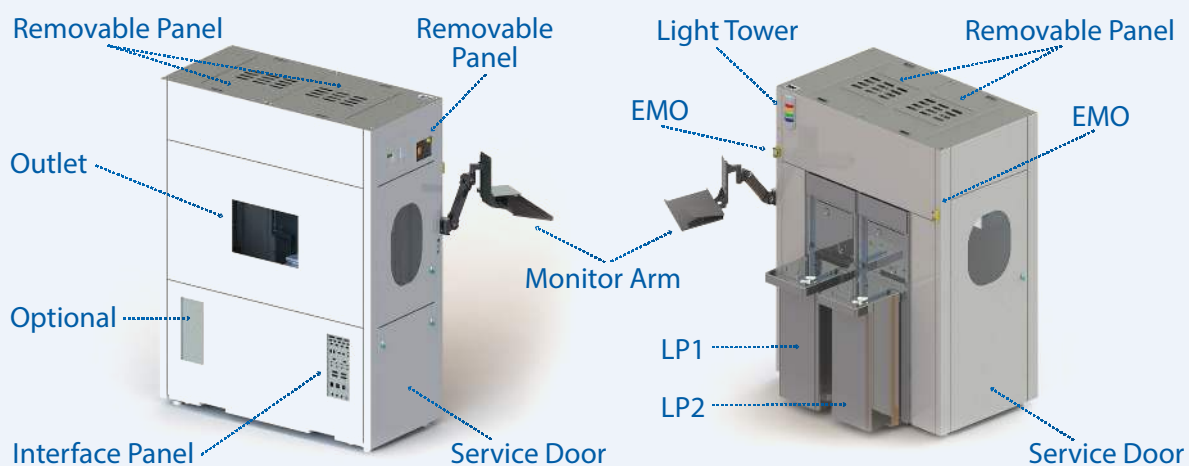
Our EFEM is certified for international Semiconductor standards of safety and cleanroom as required.



Yaskawa EFEMs advantages set a New Standard in the Semiconductor Industry

- Customized Design
- Tailored Configuration
- Fast Delivery
- Exceptional Reliability
- High Throughput
- Global Support

Key Features

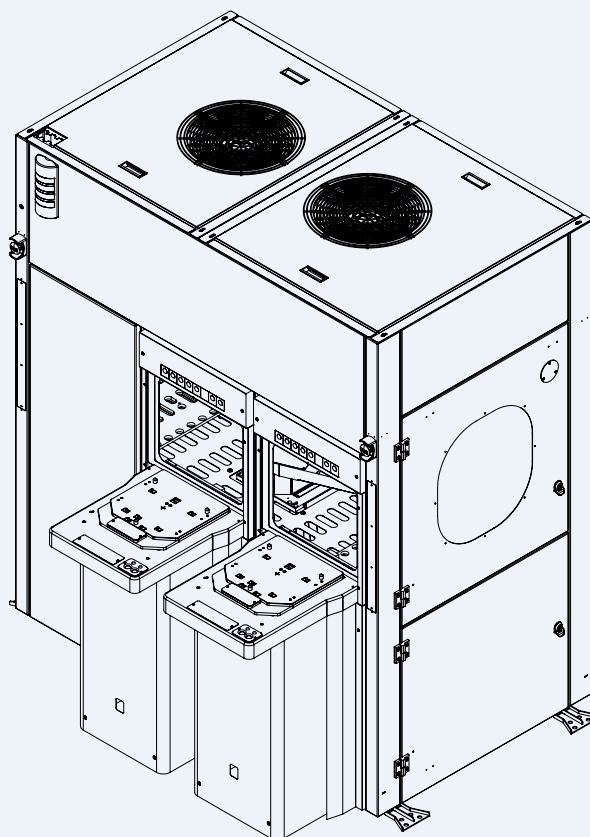
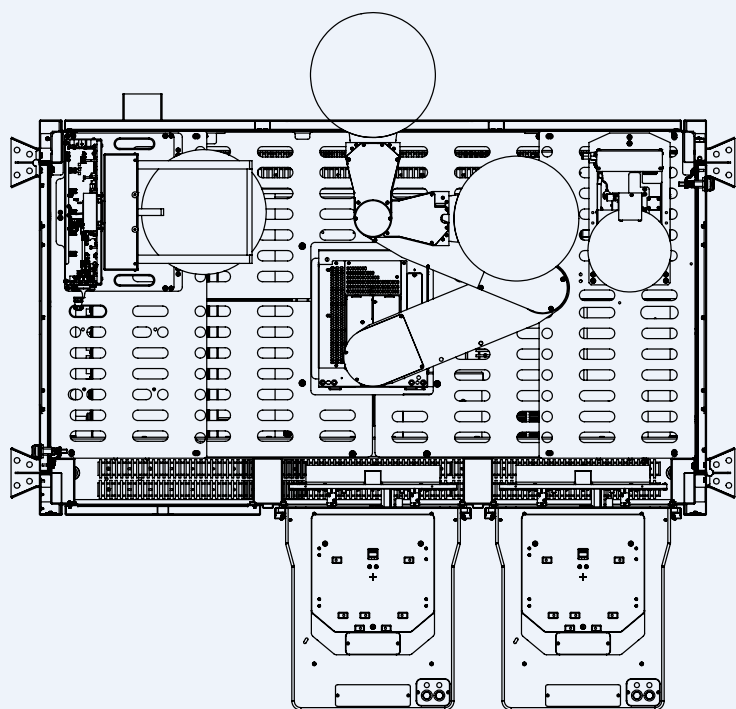
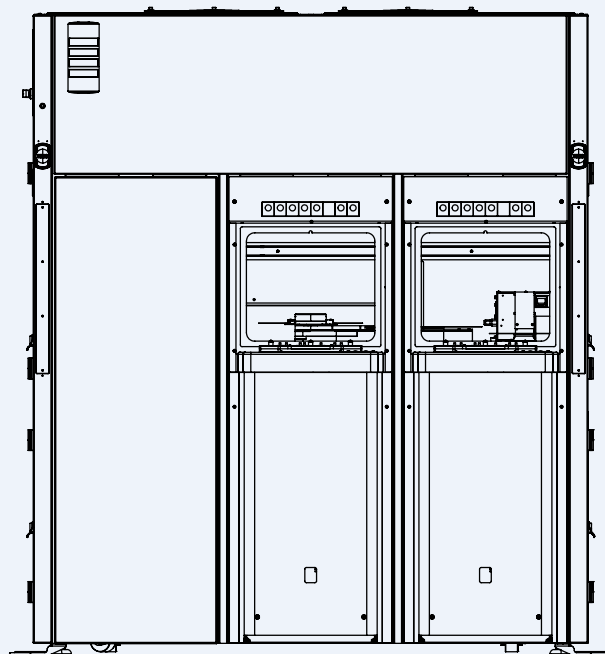


Yaskawa EFEM Design

General Dimensions

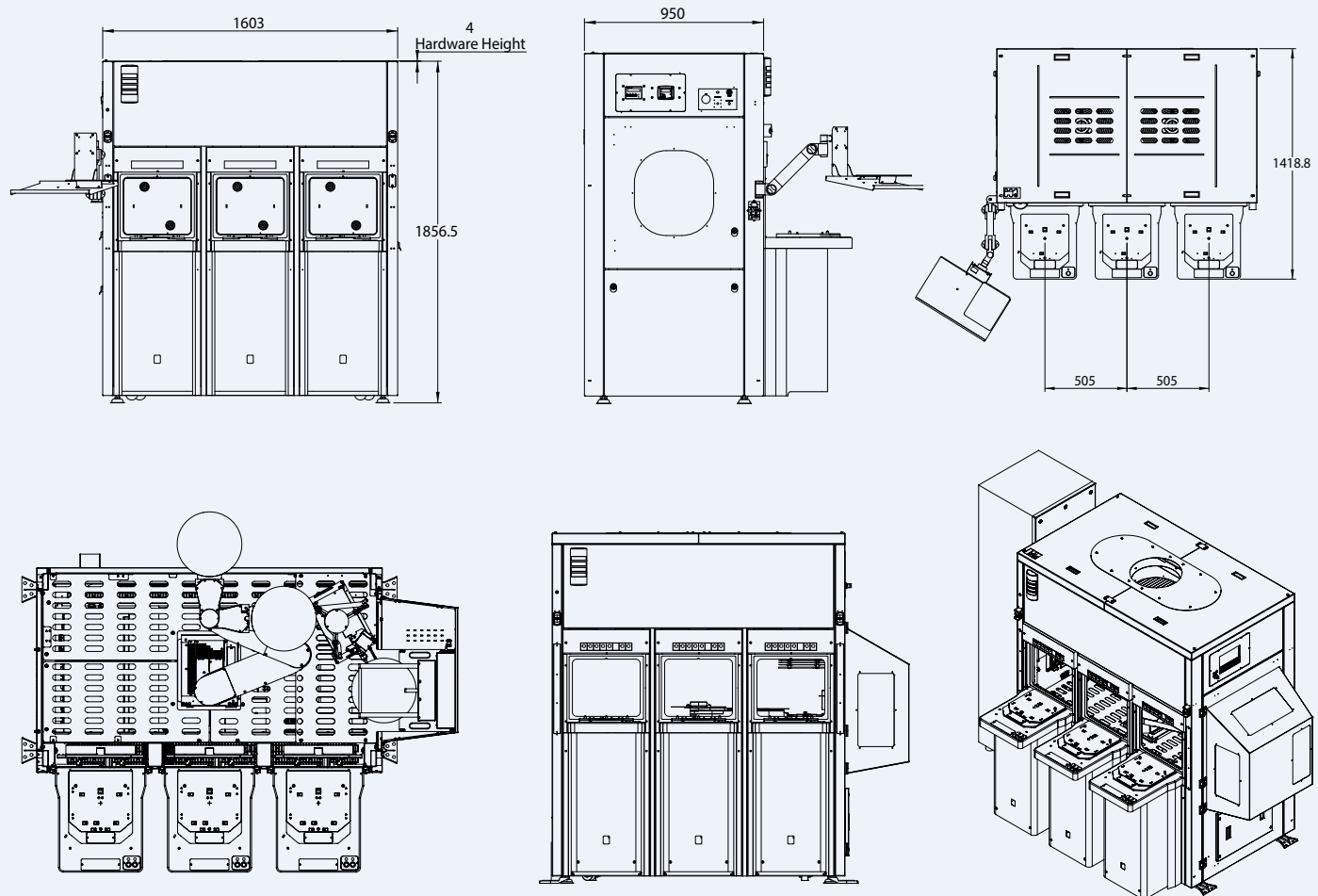
1,603mm (D) X 950mm (W) (excluding LP)

X 1.864mm (H)

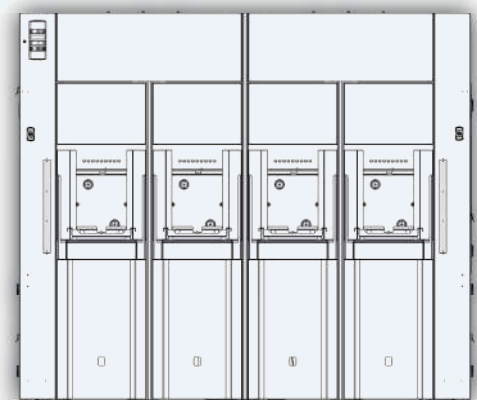


YASKAWA

Yaskawa EFEM 3W with/without Bump



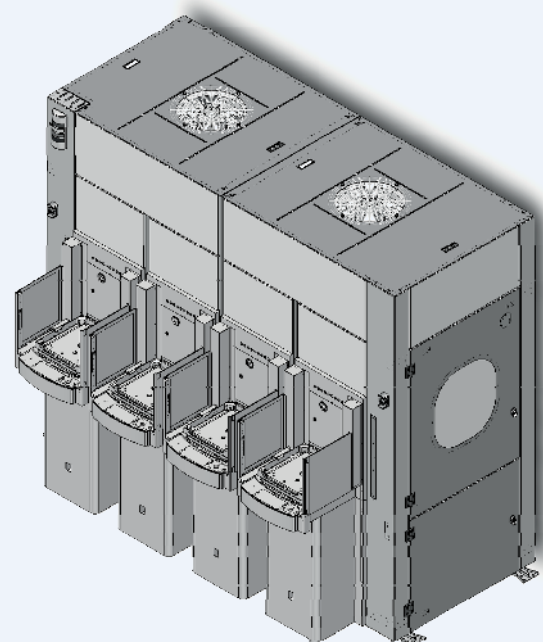
Yaskawa EFEM 4W



General Dimensions

1,953mm (D) X 950mm (W) (excluding LP)

X 1.864mm (H)



Technical features

Characteristics	Description/Quantity
Up to 3 300mm load port configurable	1-4W
Trackless Robot	1 pcs
5 Axis, Z stroke	Various options
Pre aligner available	VG/EG/PG
SR100/SR200 robot controller	1 pcs
Heavy payload	Various payloads 1kg +
Various gripping methods are available	VG/EG/PG
FFU Controller with APCS control	1 pcs
FFU with ULPA U16 (PTFE optional) filter	1 pcs
Frame -> Carbon steel with powder coating	1 pcs
Covers -> Standard Carbon steel with powder coating	1 pcs
Frame & Cover	Iron
Service Door -> Al & Carbon steel with powder coating	1 pcs
Electrical Wiring	1 pcs
Electrical power:	Per customer requirements
3- phase 200-230 VAC, +10%/-15%, 50/60 Hz	
1- phase 200-230 VAC, +10%/-15%, 50/60 Hz	
Service lighting	LED
Interlock and EMO	Per Semi Specification
Interface	Ethernet, Serial
Light tower	Light + Sound signal tower
Pneumatic tubing & regulator	Vacuum, CDA & regulator
Ionizer	1 pcs
MMI, left side (inc VGA, power, keyboard and mouse)	1 pcs
PIO cable	One per load port
Light Curtain	Available
Load Port	TDK E4/J1 Load Port



Yaskawa Europe Technology

13 Hamelacha st. Afek Industrial Zone

Rosh Ha'ayin 4809129 Israel

Tel:+972-73-2400800 Fax:+972-73-2400888

www.yaskawa.co.il info@yaskawa.co.il