

YASKAWA

World Leader in Wafer Delivery

Yaskawa's Customized Equipment Front End Module

EFEM



As tool maker you need to make sure you use the best interface equipment in the Fab to ensure high throughput, best reliability and maximum match to your needs.

This is where Yaskawa Europe Technology part of Yaskawa Electric Corporation (Japan) can help.

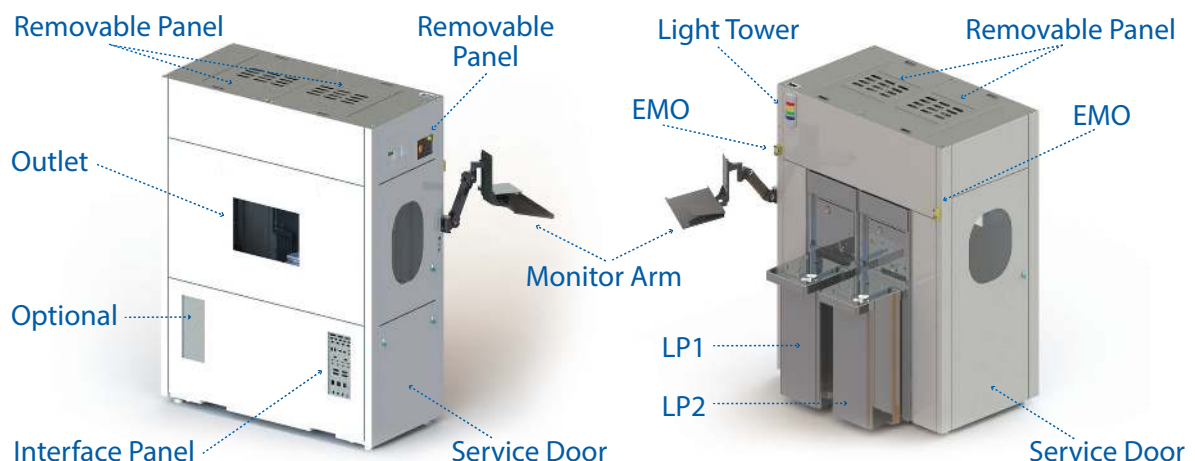
Yaskawa Europe Technology offers cutting edge technology for various sizes and capacities of factory interface (EFEM's or Mini-environment).

Yaskawa has the capability to build a fully configured solution by using cutting edge technology of the most suitable automation components that fully meet customer's specifications for cleanliness, throughput and accuracy.

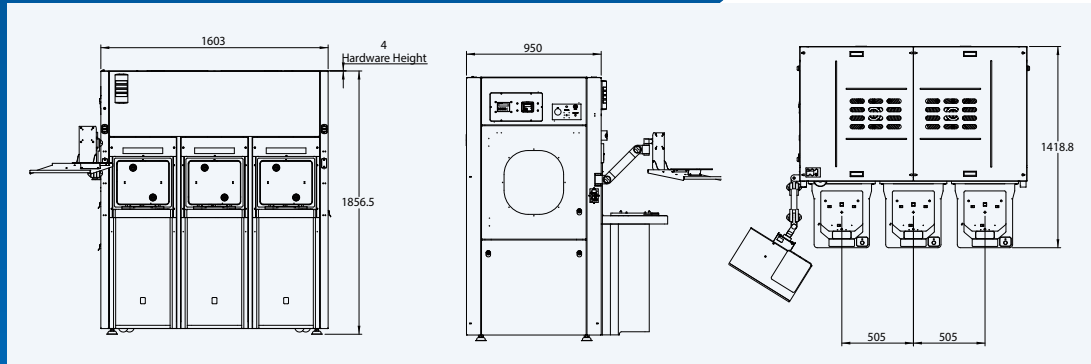
Yaskawa's EFEM's advantages set a new standard in the Semiconductor world

- Customized Design
- Customized Configuration
- Short Delivery Time
- High Reliability
- High Throughput
- Global Support

Key Features



General Dimensions



Technical features

Characteristics	Description/Quantity
Up to 3 300mm load port configurable	1, 2 or 3W
MR124 trackless Robot	1 pcs
5 Axis, extra long reach	
Pre aligner available	VG or EG
SR100 controller for Yaskawa MR124 robot and Pre aligner	1 pcs
Heavy payload	1.6Kg
Various gripping methods are available	Vac, EG, PG
FFU Controller with APCS control	1 pcs
FFU with ULPA U16 (PTFE optional) filter	1 pcs
Frame -> Carbon steel with powder coating	1 pcs
Covers -> Standard Carbon steel with powder coating	1 pcs
Frame & Cover	Iron
Service Door -> Al & Carbon steel with powder coating	1 pcs
Electrical Wiring	1 pcs
Electrical power:	Per customer requirements
3- phase 200-230 VAC, +10%/-15%, 50/60 Hz	
1- phase 200-230 VAC, +10%/-15%, 50/60 Hz	
Service lighting	LED
Interlock and EMO	Per Semi Specification
Interface	Ethernet, Serial
Light tower	Light + Sound signal tower
Pneumatic tubing & regulator	Vacuum, CDA & regulator
Ionizer Keyence (with air regulator and mechanical adaptor)	1 pcs
MMI, left side (inc VGA, power, keyboard and mouse)	1 pcs
PIO cable	One per load port
Painting	Sky White
Light Curtain	Available
Load Port	TDK E4/J1 Load Port

YASKAWA

Yaskawa Europe Technology

13 Hamelacha st. Afek Industrial Zone
 Rosh Ha'ayin 4809129 Israel
 Tel:+972-732400800 Fax:+972-732400888
www.yaskawa.co.il info@yaskawa.co.il